

INTRODUCTION

Your owner's manual has been prepared to provide you with a simple and understandable guide for the use and maintenance of your Rug Rover Carpet Cleaner. To keep your machine in top running condition, follow the specific maintenance and troubleshooting procedures given in this manual.

UNPACKING

Carefully unpack your new Rug Rover Carpet Cleaner and check the contents against the packing slip. Basic equipment with each machine includes:

- Rug Rover Assembly
- 16' Vacuum Hose
- Rovamatic Floor Tool. (For use only with RG-150)
- Upholstery Tool (optional)
- Five Gallon Recovery Bucket
- Operator's manual

SAFETY INSTRUCTIONS

WARNING - DO NOT IMMERSE. To reduce electrical shock, use only on carpet moistened by cleaning process.

WARNING - To avoid electric shock, use indoors only.

1. Read the owner's manual thoroughly. Failure to follow instructions could cause a malfunction of the unit and result in damage to item being cleaned or injury to operator.
2. Check cleaning instructions on all material being cleaned.
3. Protect all objects not being cleaned from chemical splash.
4. All electrical connections should be grounded and secured. If you need to use an extension cord, use a 12 gauge cord no longer than 50 ft.
5. Never make adjustments or repairs while machine is operating.
6. Do not pull the Rug Rover with its hose. Protect Vacuum hose from vehicle traffic and sharp objects.
7. Be certain quick coupler on Solution Hose has locked before using the Rug Rover.
8. **CAUTION - DO NOT allow solution to enter floor plugs or electrical components.**

9. Protect your machine from freezing.
10. Solution Tank water temperature must not exceed 160F.
11. RG 150 will draw 15 amps of electrical; current. If circuit trips, remove all other items from that circuit. If breaker trips, use only one vacuum motor instead of two. (Most household wall circuits are 15 amp; kitchen or garage circuits are often 20 amp.)

GENERAL CLEANING TECHNIQUES

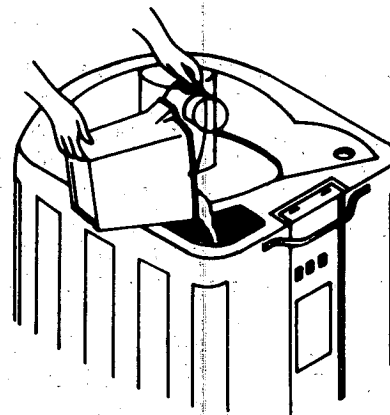
PREPARATION

1. Before you start, make sure all edges of your carpet are securely tacked in place and all seams are sewn (or glued) tight. This is your protection against shrinkage.
2. Vacuum entire carpet thoroughly, moving furniture to the center of the room. (Do not use Rug Rover to vacuum carpet.) Place aluminum foil or plastic sandwich baggies under the legs to prevent rust stains.
3. For pre-treating stained and soiled areas, we recommend the following:
RUG ROVER GENERAL SPOTTER - for all oil-based, greasy or unknown stains.
RUG ROVER TRAFFIC LANE CLEANER - for heavily soiled areas that get a lot of traffic.

NOTE: The use of these specially formulated cleaners from Landa will make your job much easier and insure satisfaction.

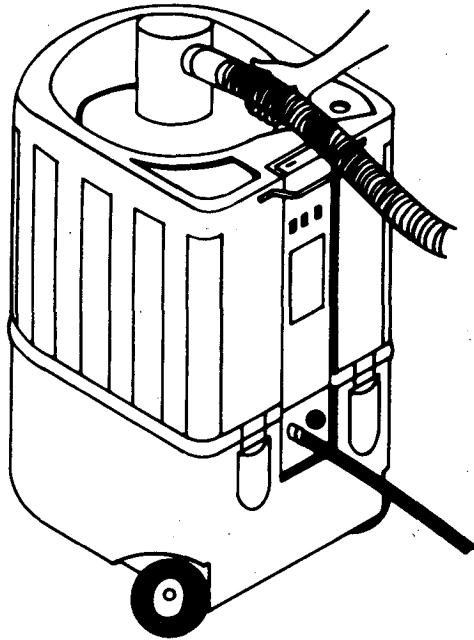
HOOK-UP

1. Roll the machine near a hot water faucet.



2. Fill the Solution Tank with **HOT WATER** (approximately 8 gals.) using a clean bucket.

3. Add two oz. of RUG ROVER CARPET AND UPHOLSTERY CLEANER for each gallon of water in Solution Tank.
4. For fresh smelling carpets, add two to five ounces of RUG ROVER ODOR FRESH to the Solution Tank. (Eliminates animal, mildew, and other odors.)
5. If your carpet was previously cleaned by shampooing, or spray foam methods, add one or more tablespoons of RUG ROVER ANTI FOAM to the Vacuum Hose and Recovery Tank, under the clear dome, to prevent foam build-up.

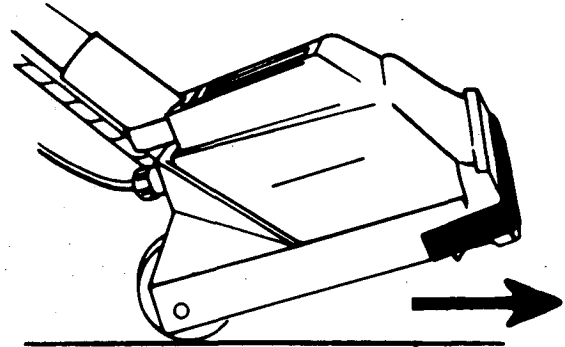


6. Connect the Vacuum Hose and Solution Hose to the machine and to the Cleaning Tool (either Rovamatic Floor Tool or Upholstery Tool). On the Solution Hose, pull back the double ring on the coupling and plug the brass couplings together. The double ring must snap back into place or no water will flow through the line.
7. Plug the Rovamatic Floor Tool cord into a grounded wall receptacle.
8. Plug Rug Rover main power cord into a convenient grounded outlet. If an adaptor is used, be sure that it is grounded.

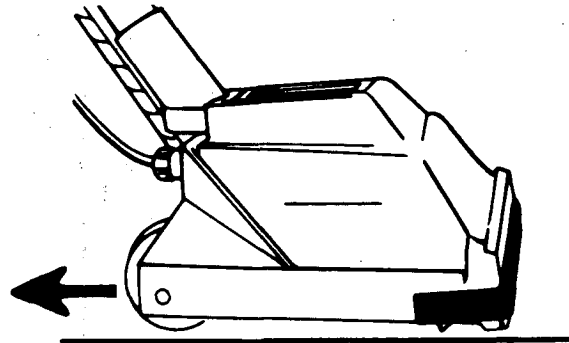
CLEANING

1. Turn on both the vacuum switch and the pump switch. Turn on the Rovamatic Floor Tool switch.

2. Tip the handle of the Rovamatic Floor Tool down and roll to your starting position.



3. Pull Floor Tool backwards to clean. Raise handle and lift wheels slightly off of carpet to keep vacuum head tight to carpet. Press trigger to release solution into carpet. Keep trigger depressed as you pull the floor tool towards you and step backwards. Make a cleaning stroke three or four feet long. Release trigger five inches before you finish your cleaning stroke. Push Floor Tool forward to reposition for next cleaning stroke. Overlap each stroke slightly.

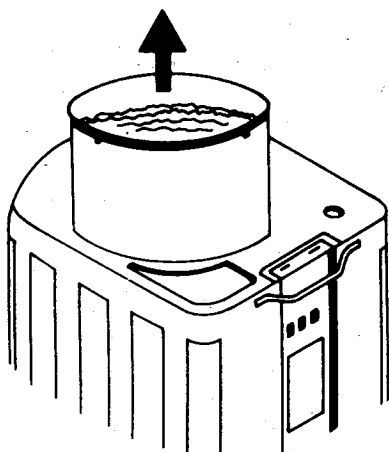


4. The Rug Rover leaves very little moisture in the carpet, so shrinkage should not occur if seams are secure and edges fastened. Drying time is influenced by many factors, but most carpets will dry in two three hours if the room is heated or well ventilated.

NOTE: Extremely soiled areas may need a second cleaning. Clean a second time at right angles to your first cleaning strokes.

REFILLING

1. Turn off all switches on the Rovamatic Floor Tool and on the machine.
2. Unhook the clear dome lid hatches and remove the clear dome. (Lay the clear dome down on its top to avoid bending the vacuum shut-off float.)



3. Use handle to remove the Recovery Tank bucket, and dirty water, and pour into toilet or drain.
4. Refill the Solution Tank with the proper solutions for your cleaning job. Return bucket to machine, add RUG ROVER ANTI FOAM, if needed, and secure the clear dome lid in place.

NOTE: Keep your carpet traffic areas clean longer with RUG ROVER CARPET ARMOR. Apply according the label instructions after you have cleaned your carpet.

CLEAN-UP

1. Turn off all switches.
2. If any solution is left in the Solution Tank, unhook vacuum hose from Floor Tool and insert into Solution Tank opening. Turn on vacuum switch only, and vacuum all remaining water out of the tank.
3. Turn off vacuum switch and repeat steps 2 and 3 under REFILLING. Rinse, clean and return Recovery Tank bucket to machine. Secure clear dome in place.
4. Unhook all hoses, clean, and roll up neatly.

UPHOLSTERY CLEANING

1. Thoroughly vacuum furniture to be cleaned or brush with a towel.

2. On heavily-soiled areas, pre-spray with RUG ROVER TRAFFIC LANE CLEANER. Then move the Upholstery Cleaning Tool, or an upholstery brush, back and forth vigorously over the soiled area for a scrubbing effect (be careful on loose or worn areas).
3. Place dirty cushions on a sheet to clean. (When clean, place on another sheet domino style for faster drying.)
4. Add two oz. of RUG ROVER CARPET AND UPHOLSTERY CLEANER to each gallon of warm water in Solution Tank. (Hot water will brown some fabrics.) Use approximately one gallon of water to clean a chair, two gallons for a sofa.
5. Assemble the Machine according to the instructions under HOOK-UP. Turn on all the switches (vacuum & pump) on the Machine.
6. Spray a small amount of RUG ROVER ANTI FOAM into the Upholstery Tool and vacuum hose to protect against foam build-up in the Recovery Tank. Repeat every 10 minutes during cleaning.
7. Test for color fastness by first cleaning a small section where it will be noticed least. Rub the cleaned area with a white terry cloth towel. If no color comes off on the towel, it is safe to clean the rest of the piece. If a little color comes off there is some chance the colors will run.
8. Best cleaning is obtained in three steps:
 - A. "Pre-wet" the fabric with the Upholstery Tool. Hold the tool a few inches away from the surface to be cleaned and press the trigger. Cover an area approximately 2'x2' using short strokes and releasing the trigger at the end of each stroke.
 - B. With your hand, or an upholstery brush, briefly work the cleaning chemical into the fabric.
 - C. Press the tool to the fabric and vacuum up the soil and moisture in slow, steady overlapping strokes. (Do not press the trigger while vacuuming.)

For heavily soiled areas, you may clean a second time by spraying and vacuuming at right angles to your first cleaning strokes.

CAUTION: Be careful not to over wet the fabric as this may cause discoloration.

9. Clean the machine by following directions listed under CLEAN-UP.
10. Velvet upholstery should have its pile fluffed up to prevent matting. Use an upholstery brush or terry cloth towel to fluff it while damp.

NOTE: Keep your furniture clean longer with RUG ROVER CARPET ARMOR. Apply according to label instructions after you have cleaned your furniture.

HELPFUL HINTS

- Place aluminum foil or plastic sandwich baggies under furniture legs to keep them from staining cleaned carpet.
- Clean stairways or automobile carpets with the Upholstery Cleaning Tool.
- Wool carpet fibers may be discolored by residue from previous shampooing, when extracted by a "Steam" carpet cleaner.

This discoloration becomes visible the day after cleaning. It is *much* easier to prevent a "brownout" in advance than it is to correct one later. (Do not confuse a "brownout" with a "wick-up", even though they look alike. Only acrylic carpets "wick-up" from wetness. Wool carpets "brownout" from an entirely different cause: the alkali.)